



Scan for full manual

614T/R Quick Start Guide

This guide helps you install and use your **614T/R** for the first time.

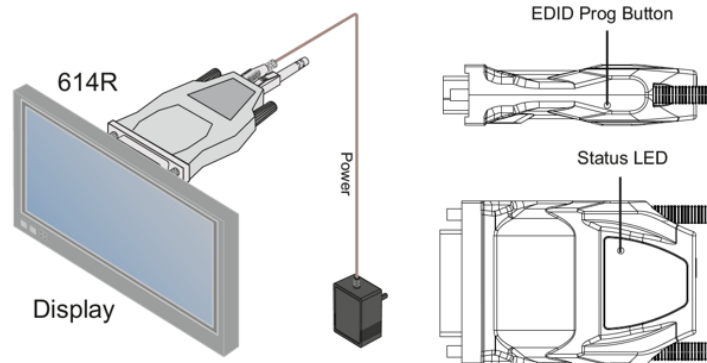
Go to https://k.kramerav.com/support/product_downloads.asp to download the latest user manual and check if firmware upgrades are available.

Step 1: Capture the EDID

- ✔ 614T/R Two Fiber Detachable Optical DVI Transmitter Receiver
- ✔ 2 Power supplies (5V DC)
- ✔ 1 Quick start guide

Step 2: Get to know your 614T/R

Capture the EDID of the display device if the display has a resolution different than 2560x1600.

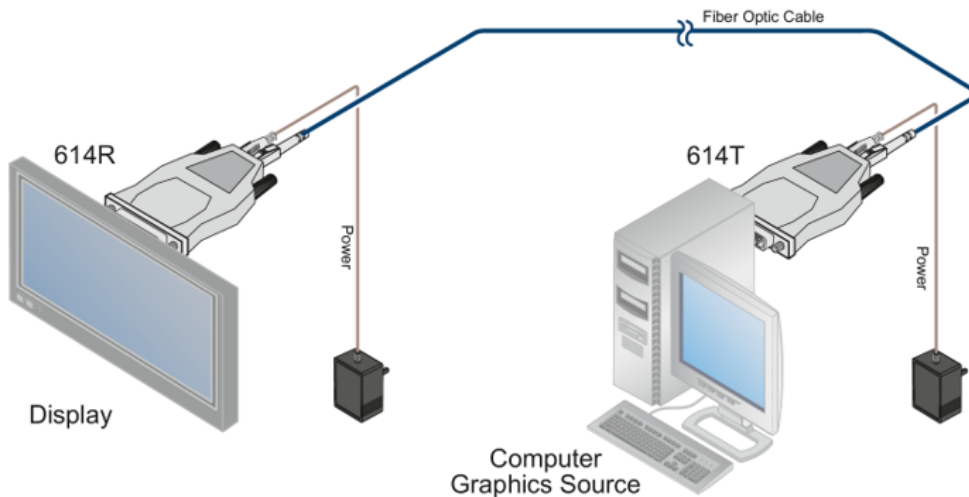


1. Connect the power to the display.
2. Connect the power to the **614T**.
3. Push the EDID button.
4. Connect the **614T** directly to the display device (the LED flashes and turns off after about 7-8 seconds).
5. When the LED is off, disconnect the **614T** from the display.



Step 3: Connect the transmitter/receiver pair

Always switch OFF the power on each device before connecting it to your **616T/R**.



1. Connect the power to the **616R**.
2. Connect the LC fiber cables to the **616T** and **616R** modules.
3. Plug the **616T** DVI connector directly to the DVI connector of the PC.
4. Plug the **616R** DVI connector directly to the DVI connector of the display.
5. Connect the power to the PC and the display.



To achieve specified extension distances, use the recommended Kramer cables available at www.kramerav.com/product/616T/616R.
Using third-party cables may cause damage!

Step 4: Connecting Power

Connect the power cord to 616T/R and plug it into the mains electricity.



Safety Instructions (See www.kramerav.com for updated safety information)

Caution:

- For products with relay terminals and GPIO ports, please refer to the permitted rating for an external connection, located next to the terminal or in the User Manual.
- There are no operator serviceable parts inside the unit.

Warning:

- Use only the power cord that is supplied with the unit.
- Disconnect the power and unplug the unit from the wall before installing.